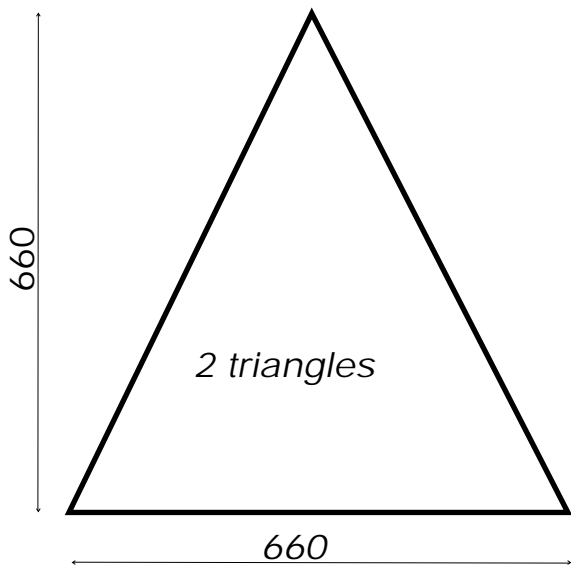
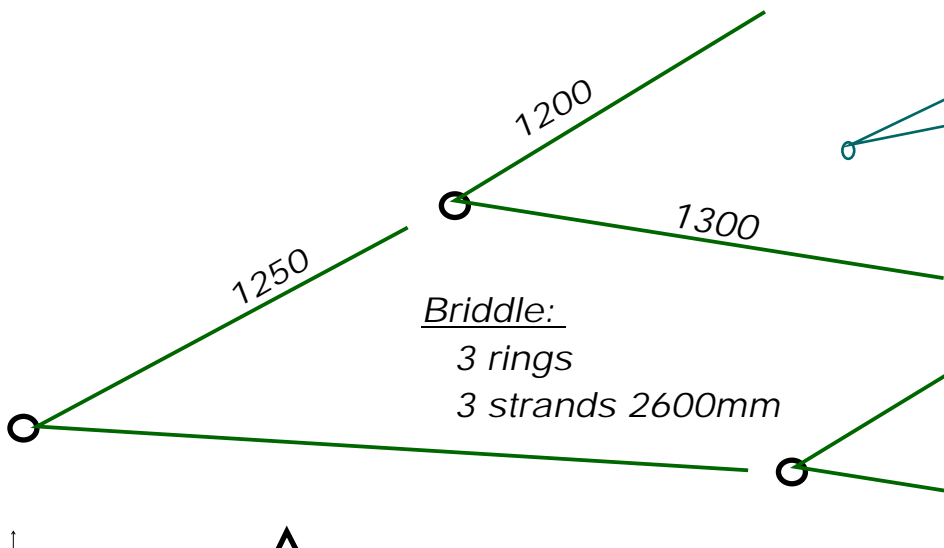
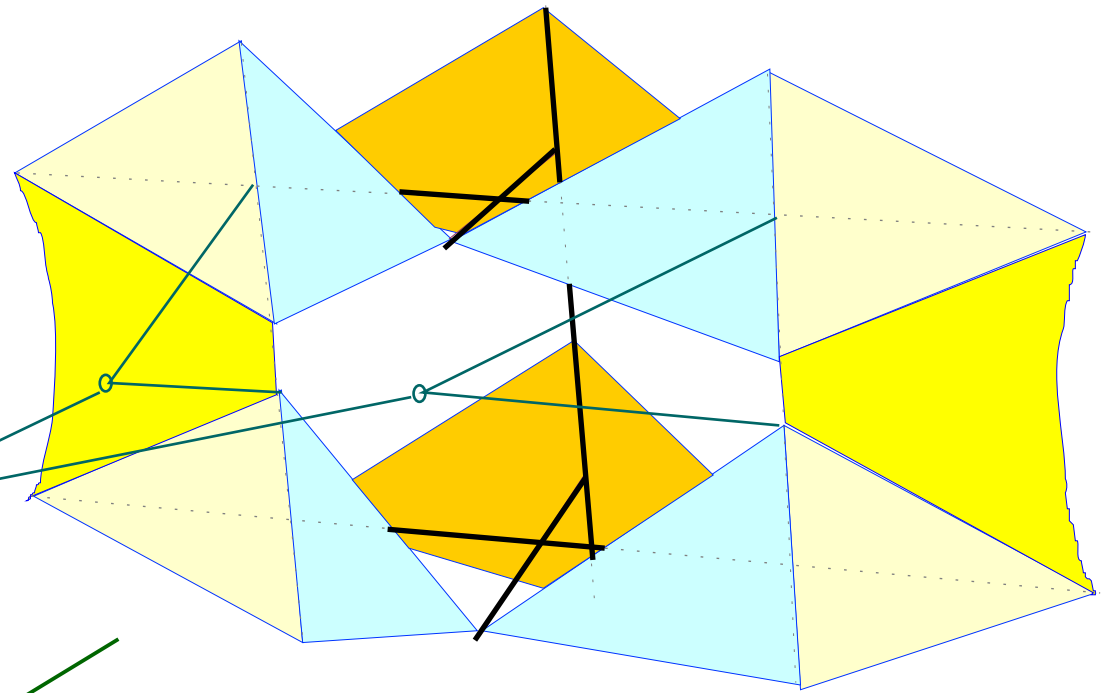


Span 2.4m
 lifting area: 2.9 m²
 weight: 0.9 kg
 density: 0.31

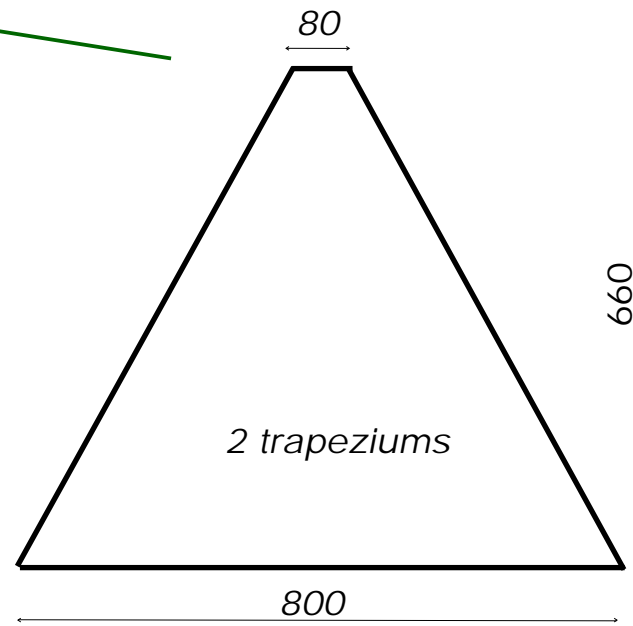
CRICO 2.4

minimum wind: 5 m/s
 maximum wind: 13 m/s

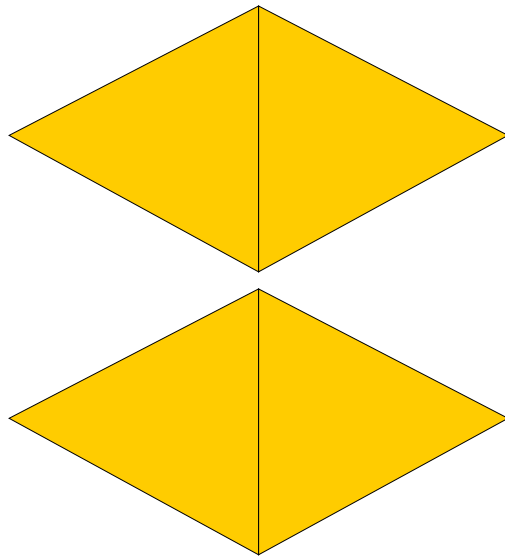
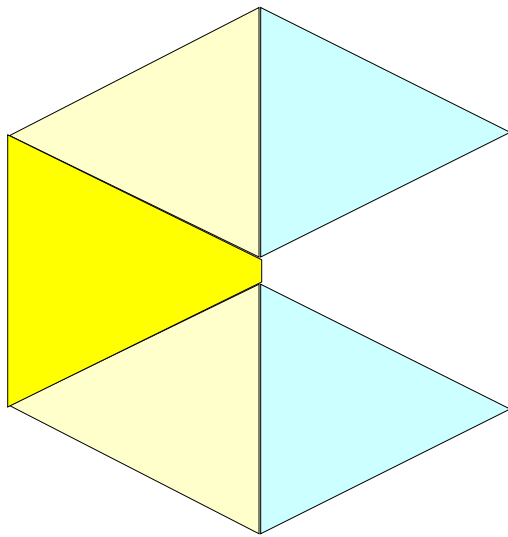
minimum pull: 2 kg
 maximum pull: 20 kg



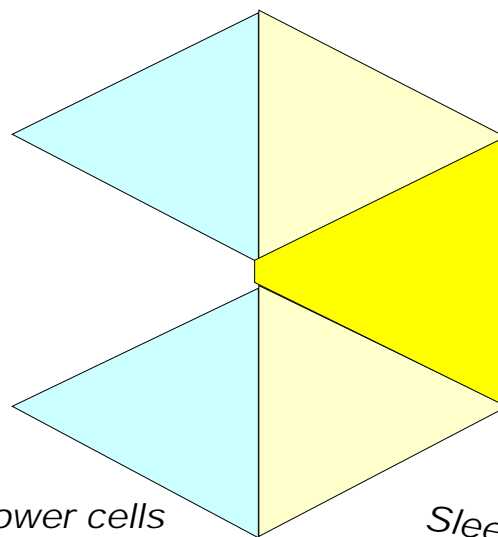
N.B. dimensions are neat
 without overlenght for hems



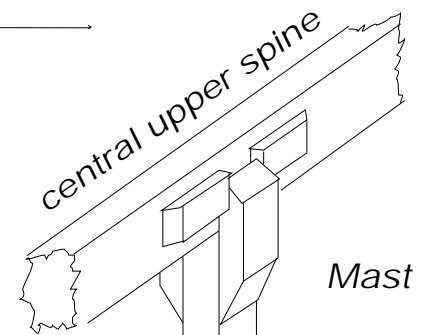
the triangles and trapeziums
 are fit together
 as shown here and sewn



upper cells

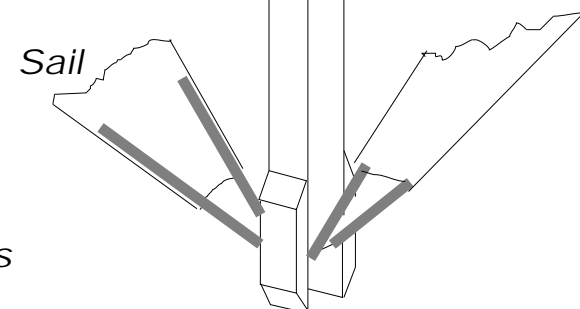


lower cells



Mast

Sleeve Ø10x1
 for the span



Sail

Frame: 3 spines 1400mm ramin 9x9

2 masts 700mm ramin 9x9

2 spans fiberglass Ø8
 in 2 parts 1200mm each

The masts and the spans
 are set in the middle
 of the cells

N.B. the carbon spars
 are too rigid

Important! lock:
 - the masts on the upper spine
 - the sleeves of spans
 in the center of the masts

