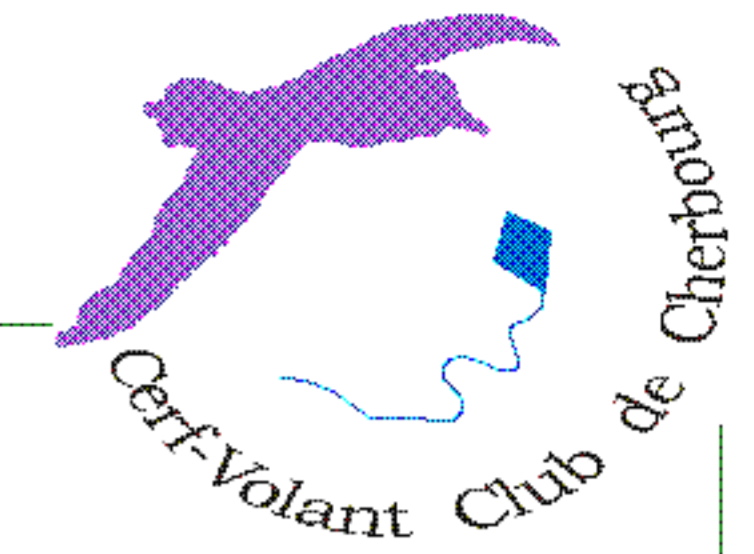
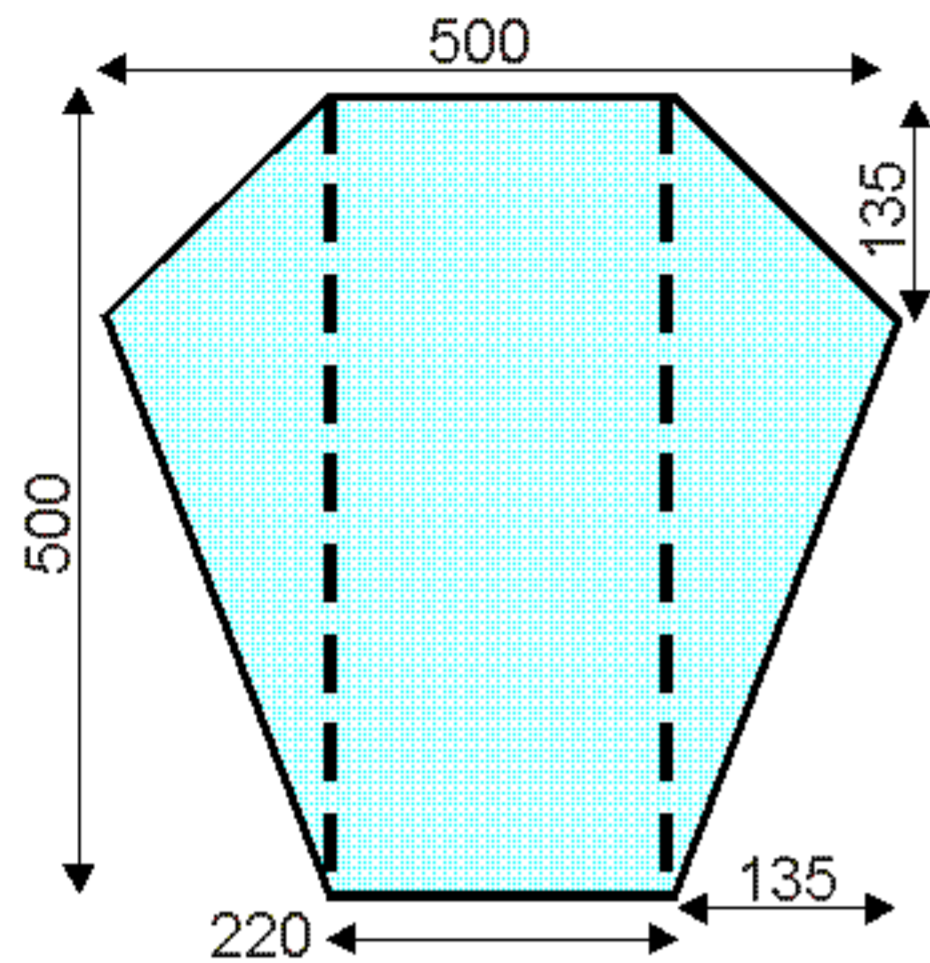


# MAKING A KITE " SLED "

All dimensions in millimeters



## 1 Cut the sail



Draw as dotted line  
the location of the spars

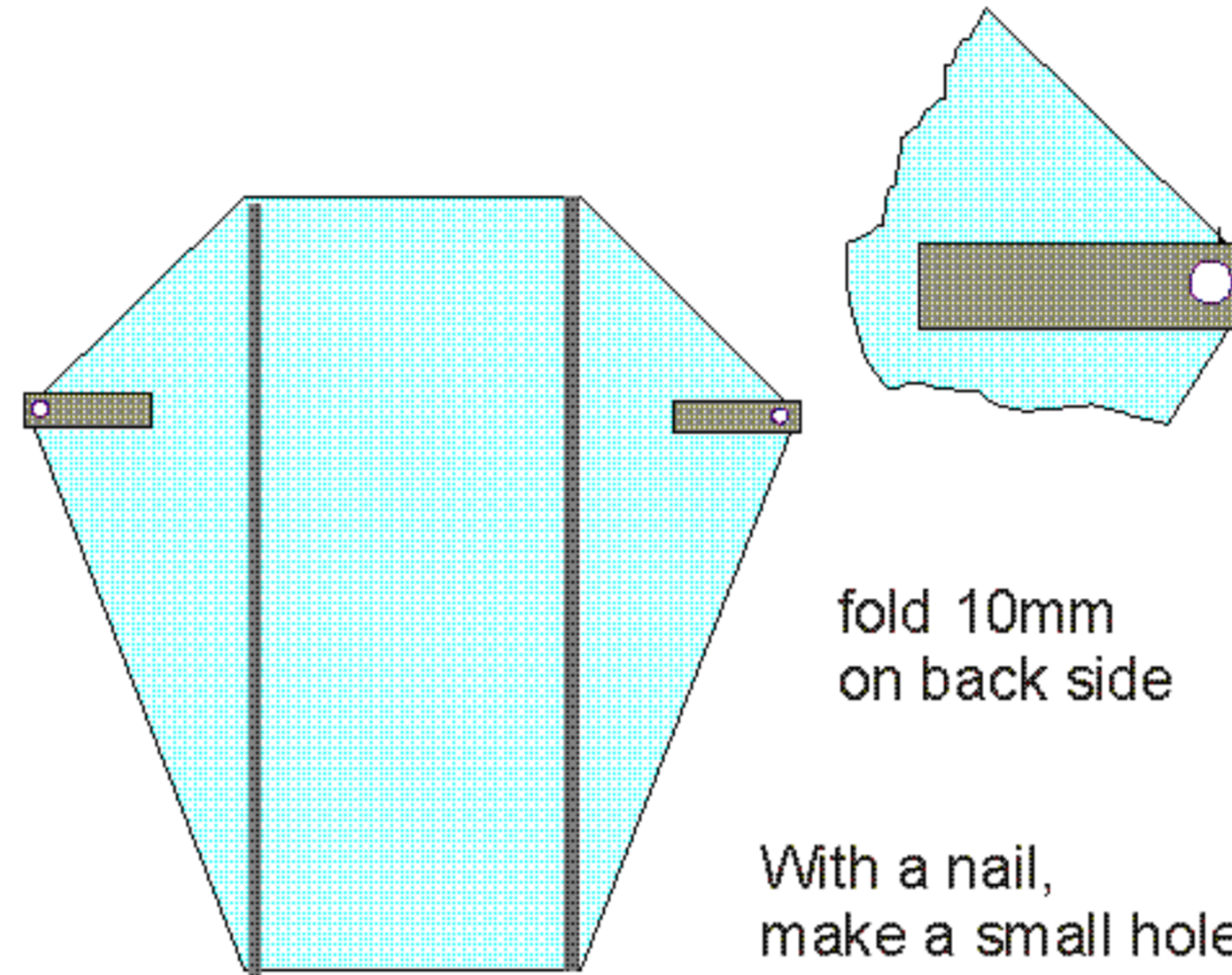
material: thin polyethylene film

## 2 Decorate

All the rectangular area  
with permanent-ink pens

## 4 Set the bridle reinforcement

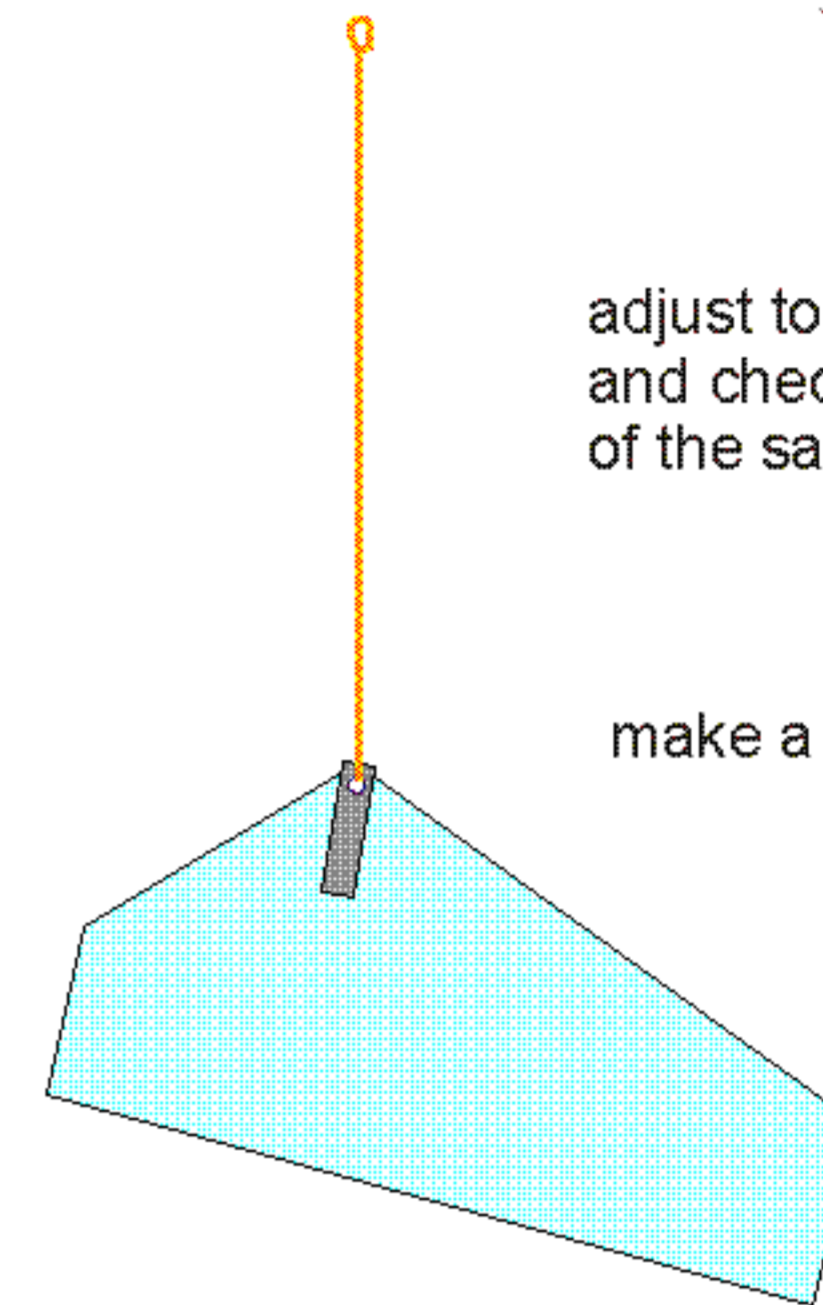
With 60mm strong adhesive tape



fold 10mm  
on back side

With a nail,  
make a small hole

## 6 Set the bridle



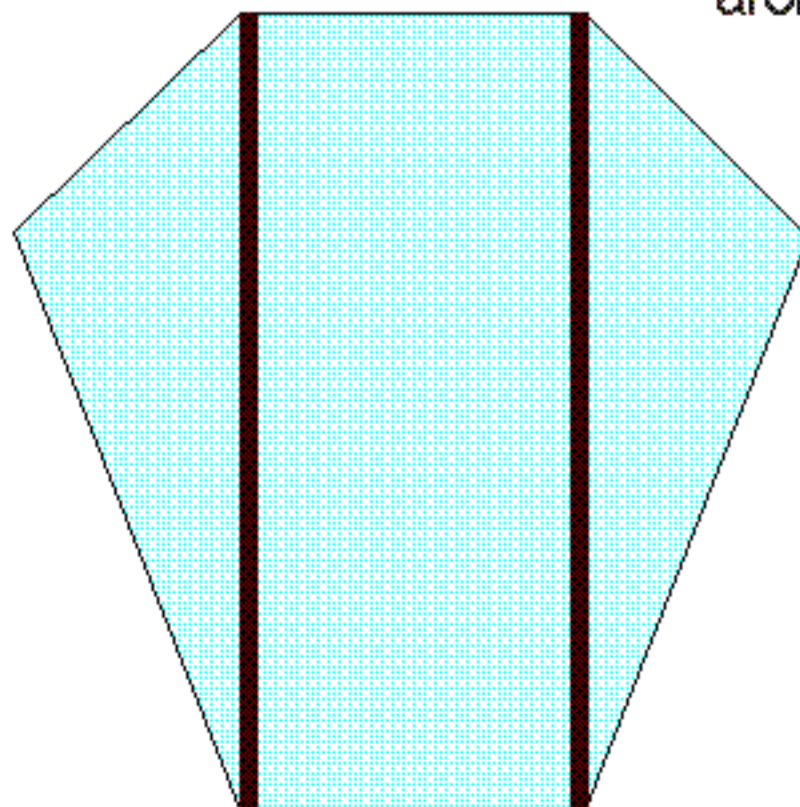
adjust to the same length  
and check the symmetry  
of the sail and of the spars

make a knot for a loop

## 3 Set the spars

spars in bamboo  $\varnothing 3$  mm

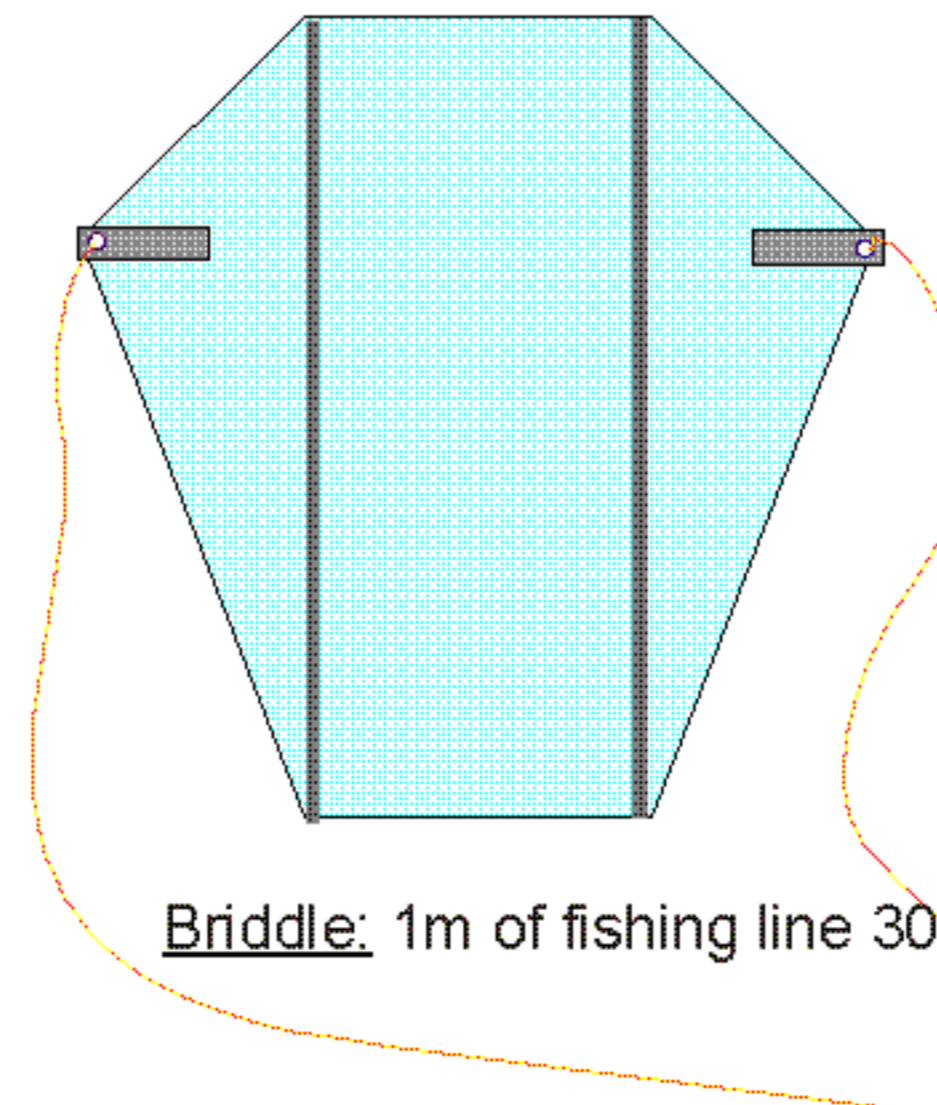
scotch magic 20mm width  
along the spars



fold the tape 30mm on back side at each end

## 5 Tie the bridle

run the wire 2 or 3 times  
through the hole



well tight  
the knots

Bridle: 1m of fishing line 30/100

## 7 Bobbin

Prepare the bobbin  
wind 50m line  
twisted polyamid (6600m/kg)

## 8 Fly

the sled flies well in force 3 wind  
in a force 4 wind,  
add 0,5 to 0,7 m tails  
behind the spars

Adjust the bridle  
if the kite always fly on same side

## 9 Repair

tape the tears  
replace damaged spars.

## 10 Restore

every year,  
remove scotch magic and replace it